

GCSE (9–1) Physics A (Gateway Science)

J249/01 Paper 1, P1 – P4 and P9 (Foundation Tier)

Wednesday 23 May 2018 – Afternoon

Time allowed: 1 hour 45 minutes



You must have:

- a ruler (cm/mm)
- the Data Sheet (for GCSE Physics A (inserted))

You may use:

- a scientific or graphical calculator
- an HB pencil



First name										
Last name										
Centre number						Candidate number				

INSTRUCTIONS

- The Data Sheet will be found inside this document.
- Use black ink. You may use an HB pencil for graphs and diagrams.
- Complete the boxes above with your name, centre number and candidate number.
- Answer **all** the questions.
- Write your answer to each question in the space provided. If additional space is required, use the lined page(s) at the end of this booklet. The question number(s) must be clearly shown.
- Do **not** write in the barcodes.

INFORMATION

- The total mark for this paper is **90**.
- The marks for each question are shown in brackets [].
- Quality of extended responses will be assessed in the questions marked with an asterisk (*).
- This document consists of **28** pages.

2
SECTION A

Answer **all** the questions.

You should spend a maximum of 30 minutes on this section.

1 What is the gravitational field strength at the Earth's surface?

- A 10 N/kg
- B 16 N/kg
- C 50 N/kg
- D 230 N/kg

Your answer

[1]

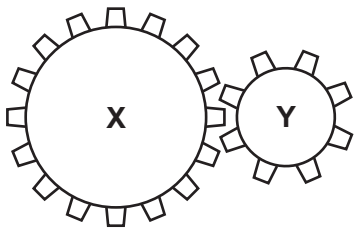
2 Which voltage is the maximum voltage made when **four** 1.5V cells are connected in **series**?

- A 0V
- B 1.5V
- C 3.0V
- D 6.0V

Your answer

[1]

3 Cog **X** has 16 teeth and cog **Y** has 8 teeth.



Cog **X** is turned around **two** times.

How many times does cog **Y** turn around?

- A 1
- B 2
- C 4
- D 8

Your answer

[1]

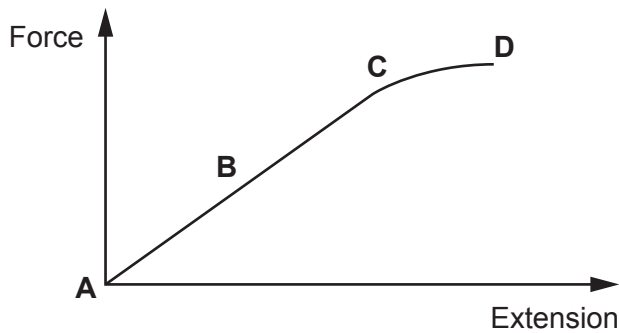
4 What is the **smallest** number of forces needed to bend an object?

- A 1
- B 2
- C 3
- D 4

Your answer

[1]

5 The diagram shows the relationship between force and extension for a spring.

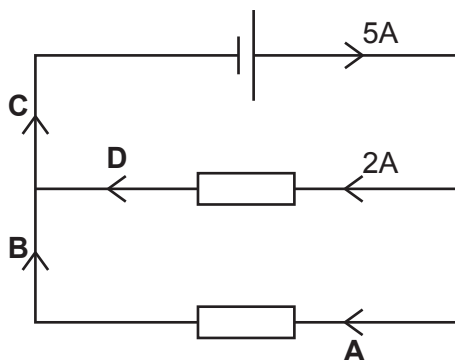


Which letter on the graph shows the **elastic limit** of the spring being stretched?

Your answer

[1]

6 This is a circuit.



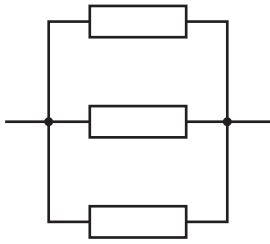
Which letter **A**, **B**, **C** or **D** shows the part of the circuit that carries a current of 2A?

Your answer

[1]

7 A student has 3 identical resistors. She arranges them in four different ways.

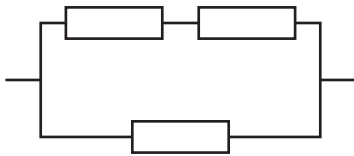
A



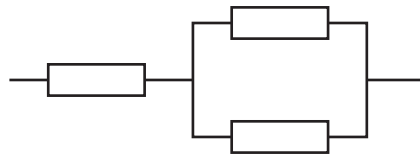
B



C



D



Which arrangement has the **most** resistance?

Your answer

[1]

8 An object travelled 800 m in 40 seconds.

Use the equation: distance travelled (m) = speed (m/s) \times time (s)

What is the speed of the object?

A 0.05 m/s

B 20 m/s

C 840 m/s

D 32 000 m/s

Your answer

[1]

- 9 An object moved 20 cm with a force of 20 N.

Use the equation: work done = force \times distance

Which is the correct calculation of work done?

- A 0.4 J
- B 4.0 J
- C 40 J
- D 400 J

Your answer

[1]

- 10 In which situation does the force cause a rotation?

- A Bouncing on a trampoline
- B Hitting a nail with a hammer
- C Pushing a friend on a swing
- D Sitting on a chair

Your answer

[1]

- 11 Which is a scalar?

- A Acceleration
- B Displacement
- C Force
- D Speed

Your answer

[1]

12 These statements are about pressure and volume of a gas.

Which statement is correct?

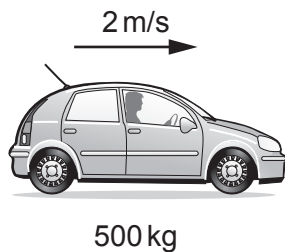
- A Volume doubles, pressure doubles
- B Volume doubles, pressure halves
- C Volume halves, pressure halves
- D Volume halves, pressure stays constant

Your answer

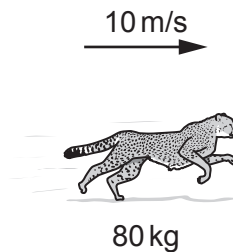
[1]

13 Which of the following has the **most** kinetic energy?

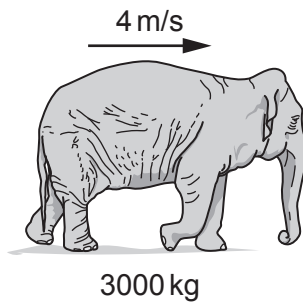
A



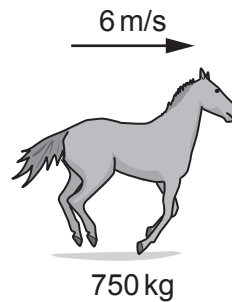
B



C



D



Your answer

[1]

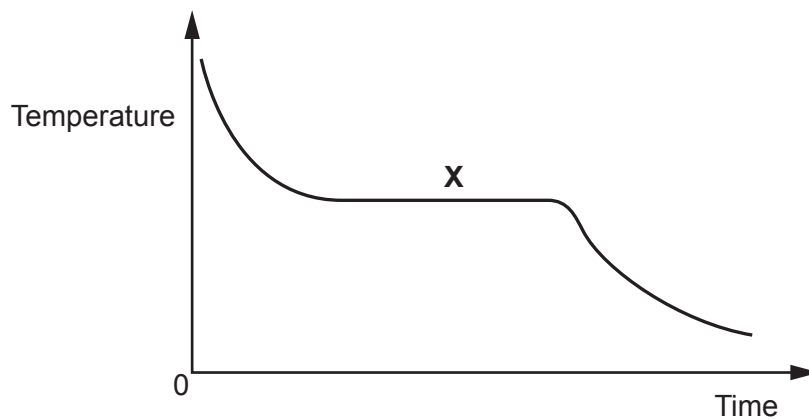
14 Which distances are the **same**?

- A 1×10^{-3} m and $1 \mu\text{m}$
- B 1×10^{-6} m and 1 mm
- C 1×10^{-9} m and 1 nm
- D 1×10^{-12} m and 1 Gm

Your answer

[1]

15 A student studies how the temperature falls when a liquid cools.



What is happening at point **X** on the graph?

- A Boiling
- B Freezing
- C Melting
- D Subliming

Your answer

[1]

8
SECTION B

Answer **all** the questions.

16 A student uses four electrical appliances for different lengths of time.

Look at the table.

Appliance	Power (W)	Time used (hours)
Hair dryer	1500	0.3
TV	100	5
Toaster	2000	0.2
Light bulb	10	12

(a) (i) Which appliance uses the **most** energy?

..... [1]

(ii) Which appliance uses the **least** energy?

..... [1]

(b) Here are three different components and their use in the home.

Match the component to its correct use.

One has been done for you.

Component

Use

LDR

Operating a heating system

Thermistor

Monitoring the position of a door

Variable resistor

Turning on lights when it gets dark

[2]

(c) A charge of 44 000 C flows through a light bulb. The potential difference is 230 V.

Calculate the energy transferred.

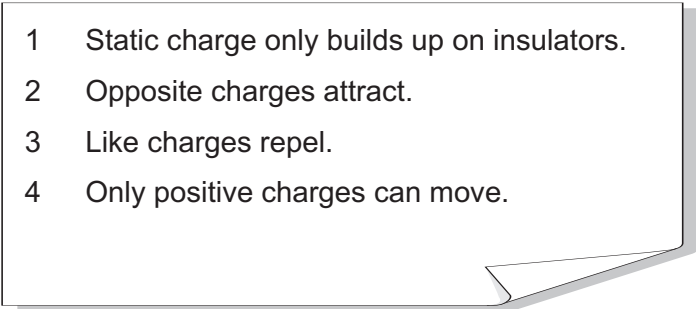
Use the equation: Charge = Energy ÷ Potential difference

Record your answer to 2 significant figures.

Answer = C [4]

(d) (i) A student has completed her homework on static electricity.

Look at her homework.

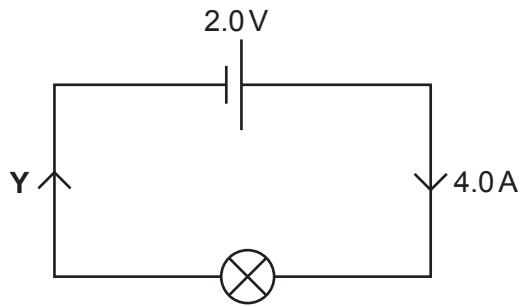


Identify the student's mistake and correct it.

.....
.....
.....
..... [2]

10

(ii) When charges move, a current flows.



Write down the current flowing at point Y in the circuit.

Answer = A [1]

17 Atomic models have changed over time.

Old atomic model – Atoms are a positive mass with negative electrons fixed in it.

Current atomic model – Atoms are made from protons, neutrons and electrons. Protons and neutrons are in a central nucleus surrounded by a cloud of electrons.

(a) (i) Write down **two** differences between these models.

- 1
-
- 2
- [2]

(ii) Why did the atomic model change?

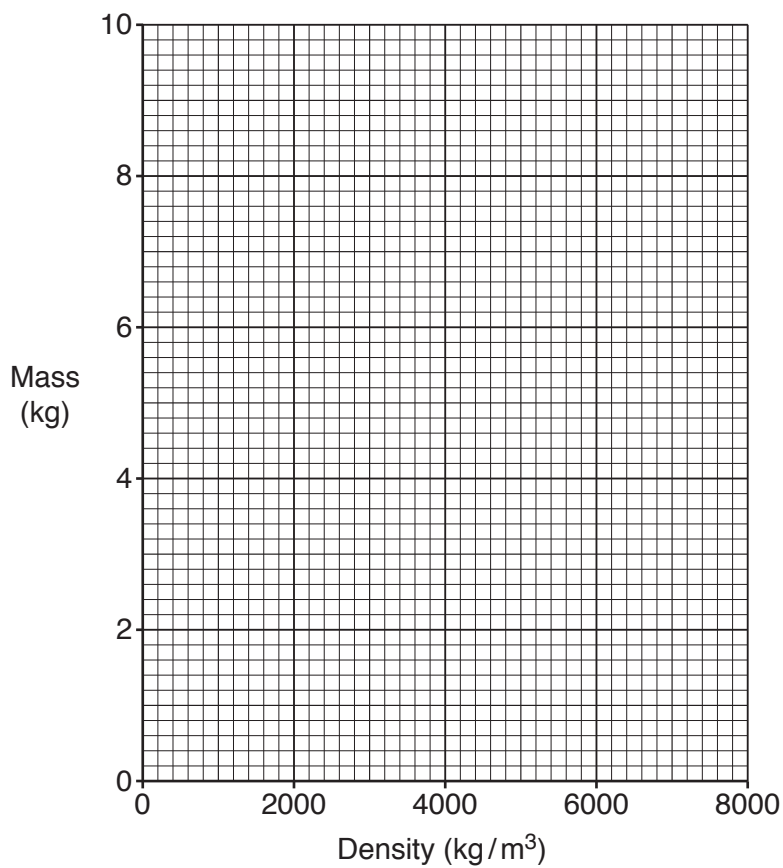
-
-
- [2]

(b) A student has data on four blocks of different materials.

Each block has the **same** volume.

Block	Mass (kg)	Density (kg/m ³)
A	2	2000
B	4	4000
C	6	6000
D	8	8000

(i) Plot this data onto the graph and draw a line of best fit.



[2]

(ii) Describe the pattern shown on the graph.

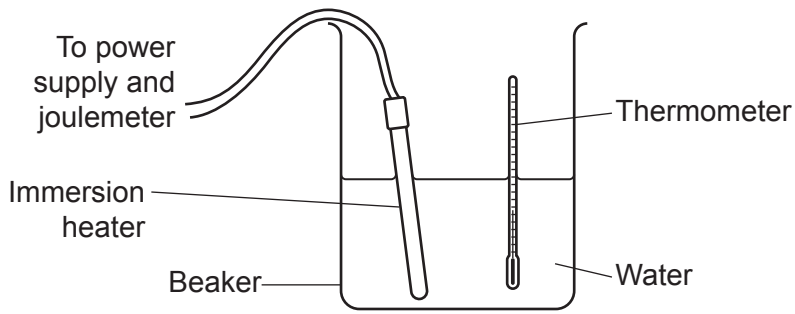
.....

.....

..... [2]

13
BLANK PAGE

18 A student completes an experiment to find the specific heat capacity of water.



He heats up 1 kg of water, using an immersion heater. He measures the temperature rise and calculates the specific heat capacity of the water.

Attempt	Energy supplied (J)	Temperature rise (°C)	Specific heat capacity (J/kg °C)
1	10 000	2	5000
2	21 000	4	5250
3	44 000	8	5500

(a) (i) Calculate the **mean** specific heat capacity.

Answer = J/kg °C [1]

(ii) Describe the conclusions that can be drawn from the data.

.....

.....

.....

..... [3]

(b) The actual value for the specific heat capacity of water is 4200 J/kg °C.

(i) Explain why the mean specific heat capacity calculated in (a)(i) is higher than the actual value.

.....
.....
..... [2]

(ii) Write down **two** problems with this experiment **and** suggest how they could be solved.

Use the diagram and results table to help you.

Problem 1

.....

Solution

.....

Problem 2

.....

Solution

.....

[4]

20 (a) Objects can interact in many ways. Pairs of forces arise when objects interact.

Write down **one** type of force involved when objects interact.

.....
..... [1]

(b) A book rests on a table.

Draw a free body force diagram to show the forces acting on the book.

Use arrows to represent the forces.

[4]

(c) A teacher uses an air-track for motion experiments. Using the air-track means that there is no friction between the glider and the air-track.

The teacher places the glider on the horizontal air-track and gives it a small push to start it moving.

Explain the motion of the glider.

.....
.....
..... [2]

(d) A presenter on a car TV programme says:

“The car maker has reduced the mass of this car and it now has better acceleration.”

(i) Explain why the presenter is correct.

.....
.....
..... [2]

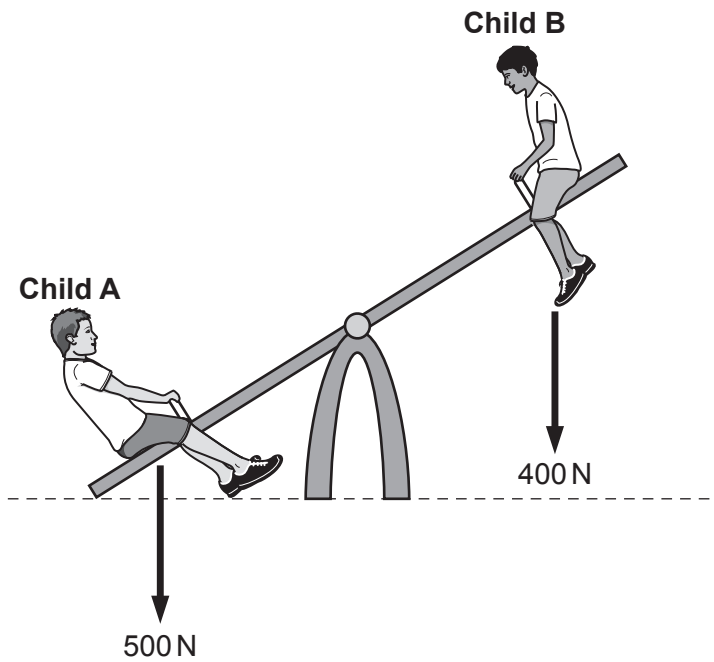
(ii) A car accelerates from 5 m/s to 25 m/s in 4 seconds.

Calculate the acceleration of the car.

Use the equation: Acceleration = Change in speed ÷ Time taken

Answer = m/s² [3]

21 Two children play on a seesaw.



Both children sit **2 m** from the pivot.

- (a) (i) Calculate the clockwise and anti-clockwise moments around the pivot when the seesaw is horizontal.

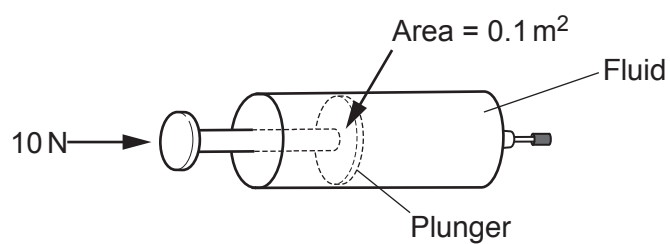
Clockwise moment = Nm

Anti-clockwise moment = Nm
[3]

- (ii) Calculate where **Child A** should sit to balance the seesaw.

Answer = [3]

- (b) A student tries to compress the fluid in a sealed syringe with a force of 10 N.



The area of the end of the syringe is 0.1 m^2 .

- (i) Calculate the pressure in the fluid.

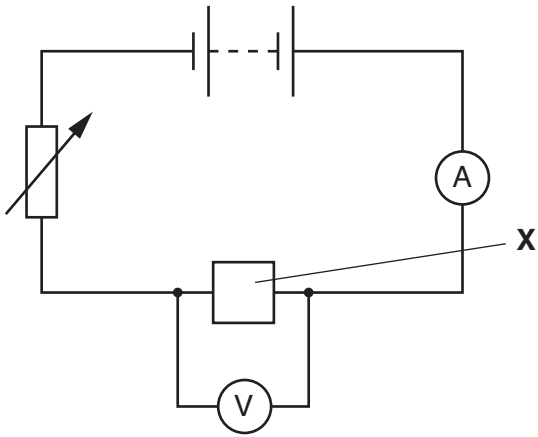
Answer = Pa [3]

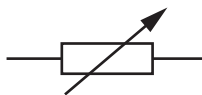
- (ii) Write down the direction of the force produced by the fluid on the plunger.

..... [1]

21
BLANK PAGE

22 A student builds a circuit to investigate the resistance of component X.



(a) (i) What is the name of this component? 

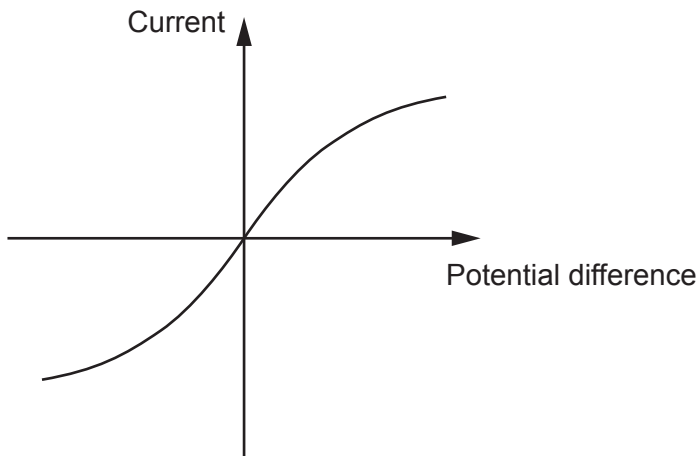
..... [1]

(ii) Why is this component needed in this circuit?

..... [1]

(b) The student uses the circuit to take current and potential difference readings.

The student plots a graph of her results.



(i) Look at the graph.

What is component X in the circuit?

..... [1]

(ii) The resistance of component **X** varies as the potential difference changes.

Describe **how** the graph shows this and explain **why** this happens.

.....
.....
.....
..... [3]

(c) Component **X** has a resistance of $16\ \Omega$ when a current of 0.25A flows.

(i) Calculate the potential difference across component **X**.

Use the equation: Potential difference = Current \times Resistance

Answer = V [2]

(ii) Calculate the power of component **X** when a current of 0.25A flows.

Answer = W [3]

ADDITIONAL ANSWER SPACE

If additional space is required, you should use the following lined page(s). The question number(s) must be clearly shown in the margin(s).

A large area of lined paper for writing. It features a vertical margin line on the left side and horizontal dotted lines for writing. The lines are evenly spaced and extend across the width of the page.

